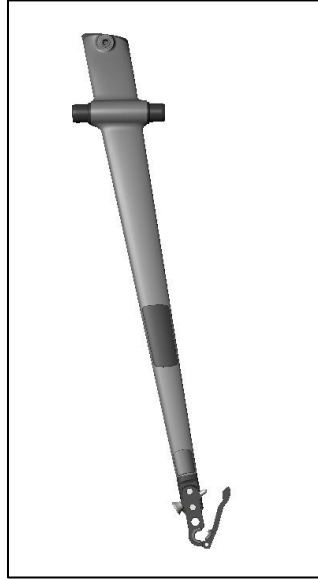


X & S series rack assembly

Step 1 – Attach Dropouts to Rack



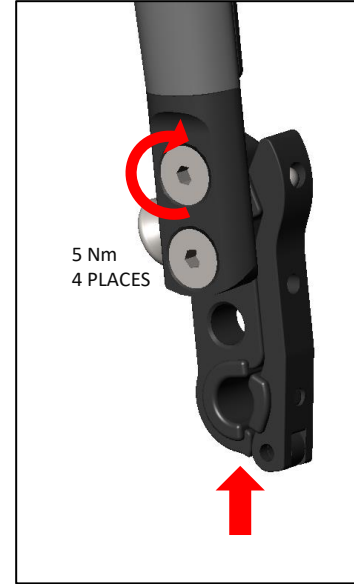
1. Unpack the arch, screws & the Dropouts



2. Check orientation of dropouts and screw to arch



3. Check sloped surface is on the outside edge

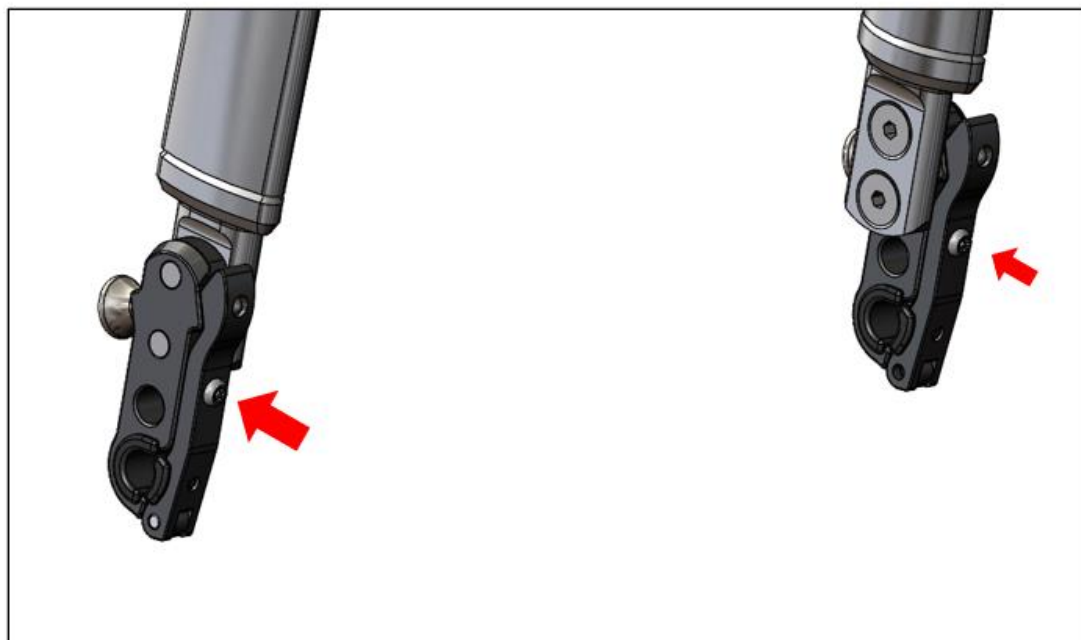


4. Whilst pushing upwards, tighten the four screws to 5Nm



5. Dropouts now fully assembled

Optional Step - Anti-theft screws



1. The dropouts are supplied with 2 optional security screws and a security Torx tool

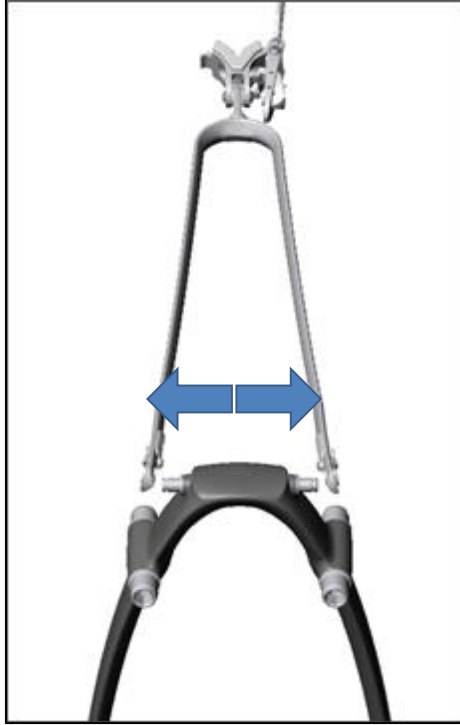
2. These can be screwed to the quick-release mechanism as shown

3. When installed they prevent the quick release mechanism from being easily opened

Step 2 – Attach top stay to arch



1. Unpack the top stay and the arch

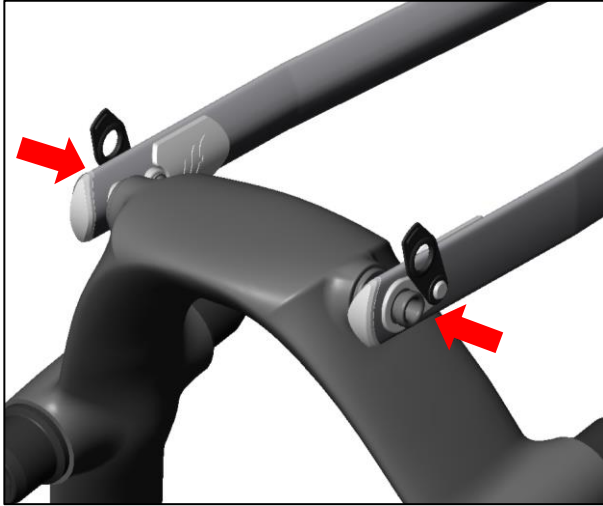


2. Gently separate the top stay and work it carefully over the upper arch pivots

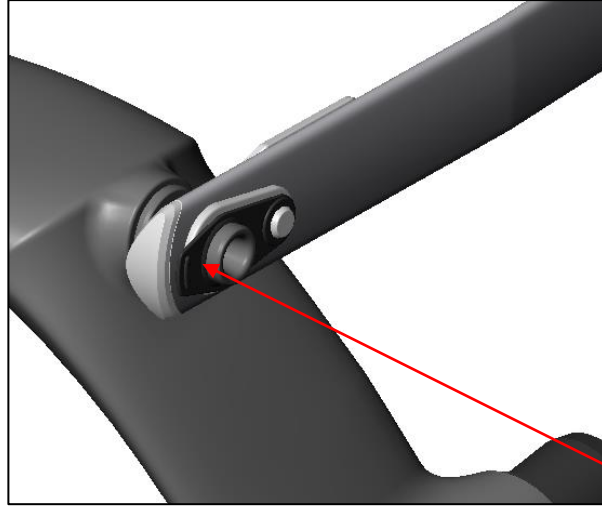


3. Do not over extend the top stay arms. This can damage the top stay.

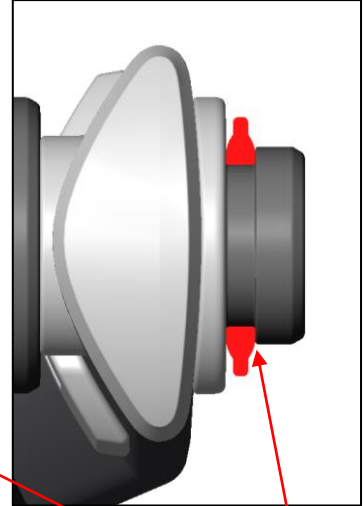
Step 3 – Option A – Lock stay to rack with clip



1. Make sure the top stay is fully on. The mounting pin groove should align with the outside of the top stay.



2. Ensure rubber retaining clip is **fully seated** into the mounting pin groove **all the way around**. The rack is now assembled.



There are two options for how to attach the top stay

– Option A or Option B

+ Option A – uses a rubber retaining clip

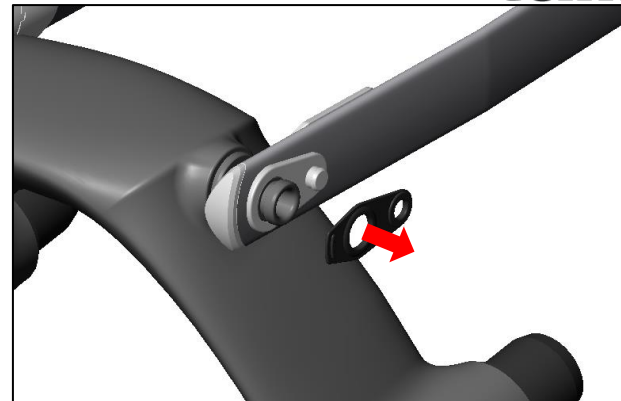
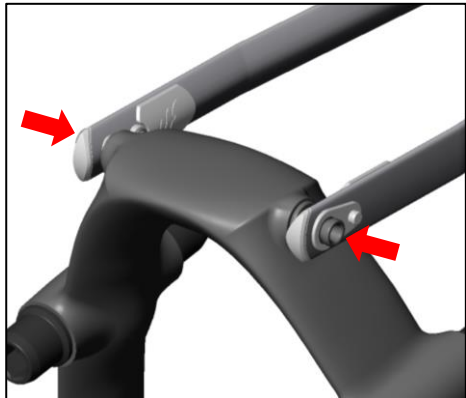
+ It is quicker to add and remove the top stay for assembly/disassembly when packing away

+ Option B – uses O-Rings

+ Permanent fit and forget solution if you do not plan to separate the top stays from the arch

Option B – Lock top stay on with O-Rings

tailfin



1. Make sure the top stay is fully on

2. O-Rings are included inside the top stay box

3. Remove the rubber clip



4. Stretch O-Ring in to groove



5. This is how it looks after O-Ring inserted

Direct X & S series frame mounting

Parts included in the box as standard

Step 1 – Measure bike frame



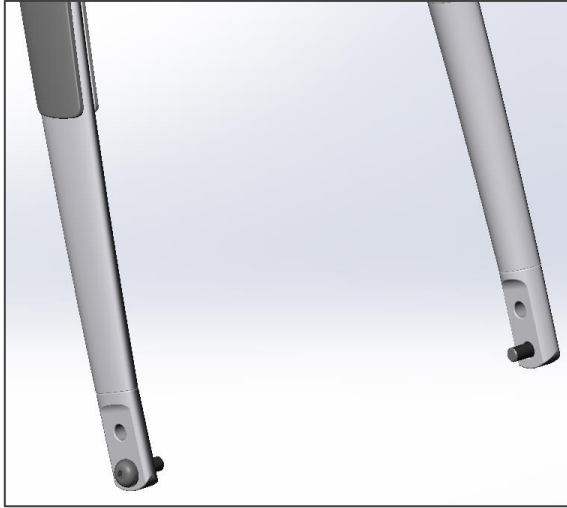
1. The spacer kit **included with every arch includes:**

- 4x 7mm Thick Spacers
- 2x M5 Washers
- 2x M5x16 Screws
- 2x M5x20 Screws
- 2x M5x30 Screws



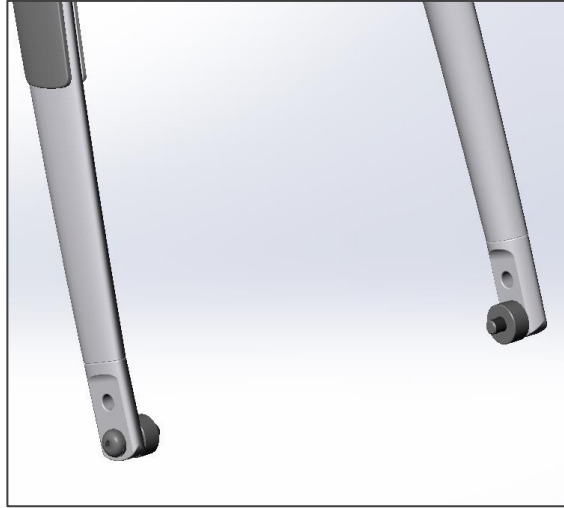
2. Depending on the width of your dropouts will determine how many spacers are required to fit the rack

Step 2 – Select the number of spacers required



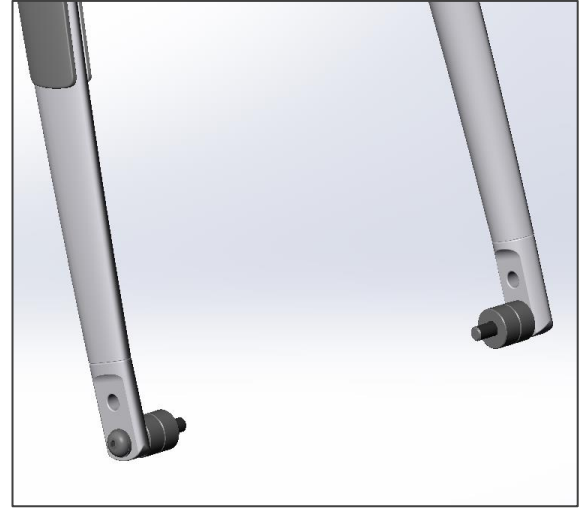
Direct mount

- No spacers
- 2x M5x16mm
- Max Dropout Width = 191mm
- Min Dropout Width = 177mm



Single spacer per side

- One spacer per side
- 2x M5x20 Screws
- Max Dropout Width = 177mm
- Min Dropout Width = 163mm



Double spacer per side

- 2x spacers per side
- 2x M5x30 Screws
- Max Dropout Width = 163mm
- Min Dropout Width = 149mm

Step 3 – Screw rack in place

tailfin



Insert correct number of spacers
and screw directly to the frame