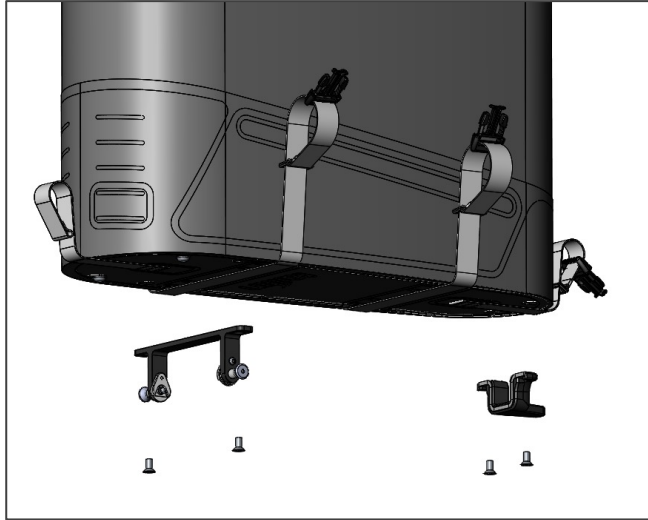
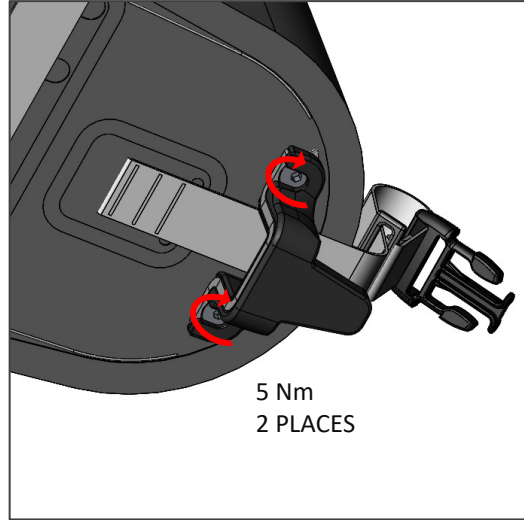


AP20 Trunk Top Bag Assembly

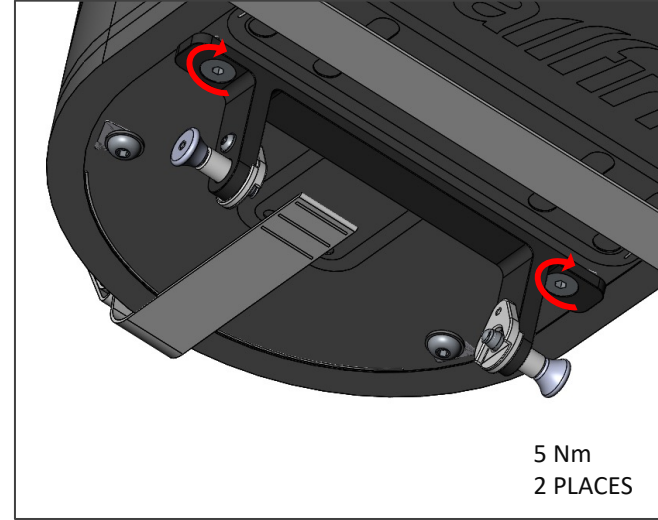
Assemble connectors



1. Unpack the bag, front hook, rear connector and 4x screws



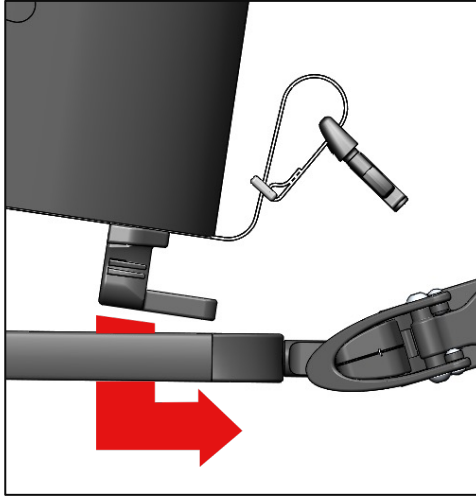
2. Screw front hook – make sure that the front strap is UNDER the hook – tighten screws to 5Nm



3. Screw rear connector — tighten screws to 5Nm
NOTE: When initially screwing it's likely you will need a ball nose hex key...



Install AP20 Trunk Bag



1. Hook front connector under top stay



2. Align rear of bag with rack and pull open pins until the bag seats in seated position



3. Push pins all the way in. **CHECK** that the bag is fully connected by trying to lift rear of bag on every installation