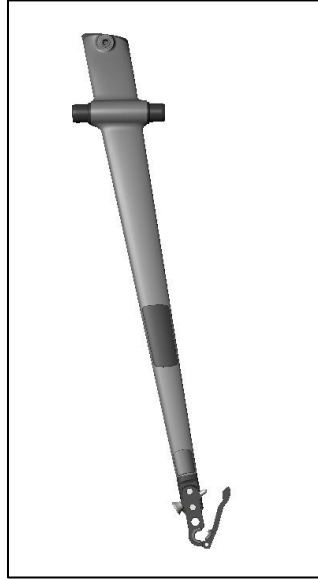


AeroPack Carbon & Alloy assembly

Step 1 – Attach Dropouts to Rack



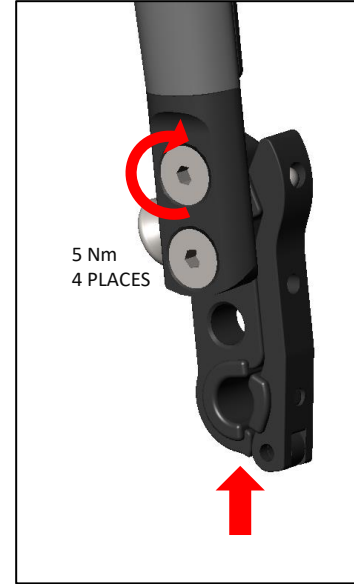
1. Unpack the arch, screws & the Dropouts



2. Check orientation of dropouts and screw to arch



3. Check sloped surface is on the outside edge

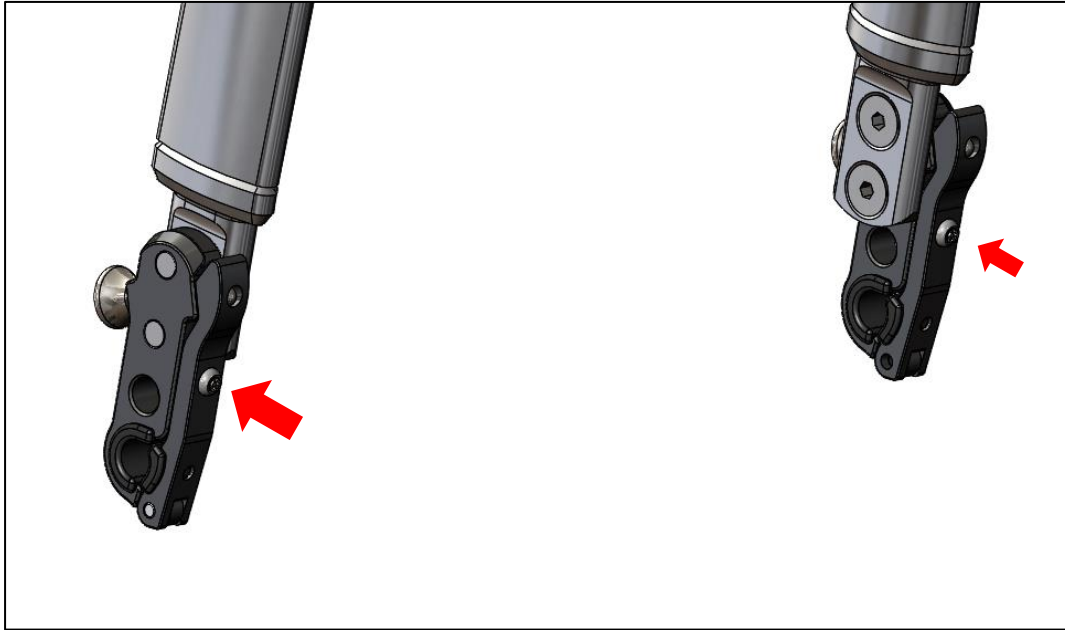


4. Whilst pushing upwards, tighten the four screws to 5Nm



5. Dropouts now fully assembled

Optional Step - Anti-theft screws



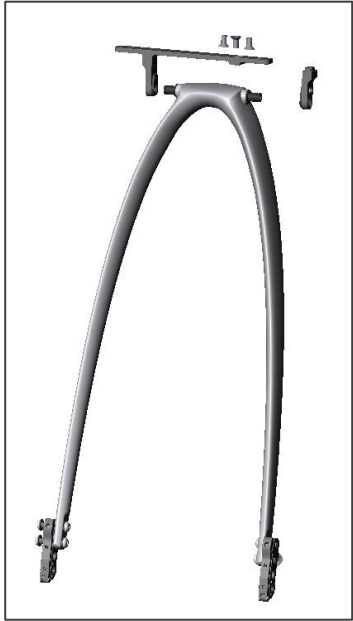
1. The dropouts are supplied with 2 optional security screws and a security Torx tool

2. These can be screwed to the quick-release mechanism as shown

3. When installed they prevent the quick release mechanism from being opened easily

Step 2 - Attach rear connector

tailfin



1. Unpack the rear connector and arch



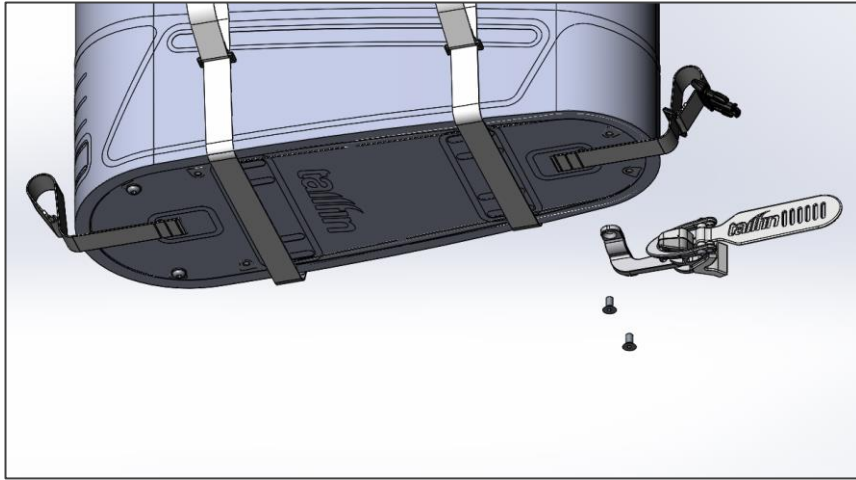
2. Work both sides of the rear connector to this position



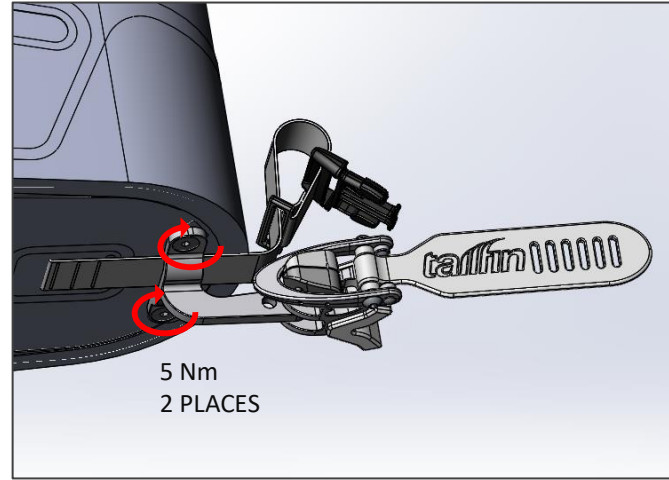
3. Join both sides of the connector then add screw and tighten to 5Nm

Step 3 – Attach front seatpost connector to bag

tailfin



1. Unpack front connector, 2x screws & seatpost connector



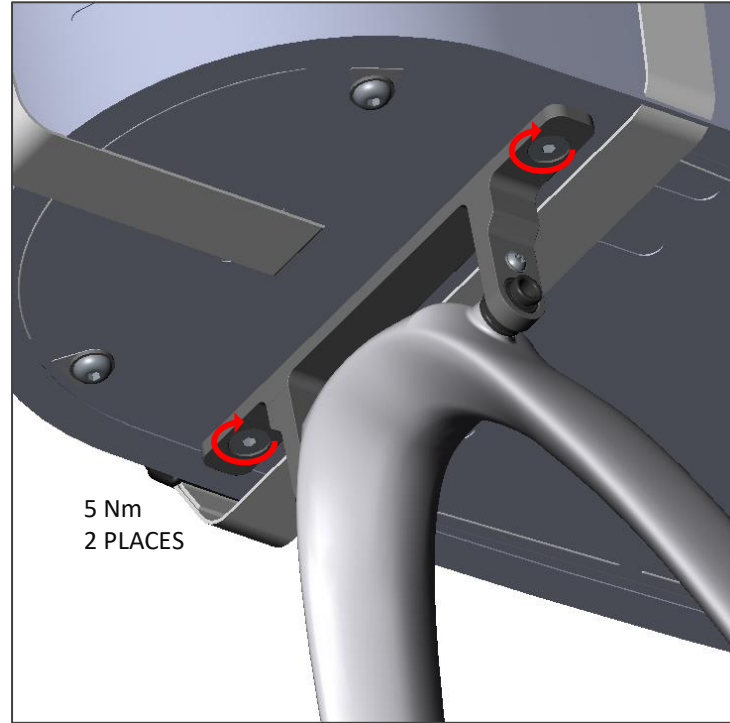
2. Screw seatpost connector in position – make sure that the front strap is UNDER the seatpost connector – tighten screws to 5Nm

Step 4 – Assemble arch to bag

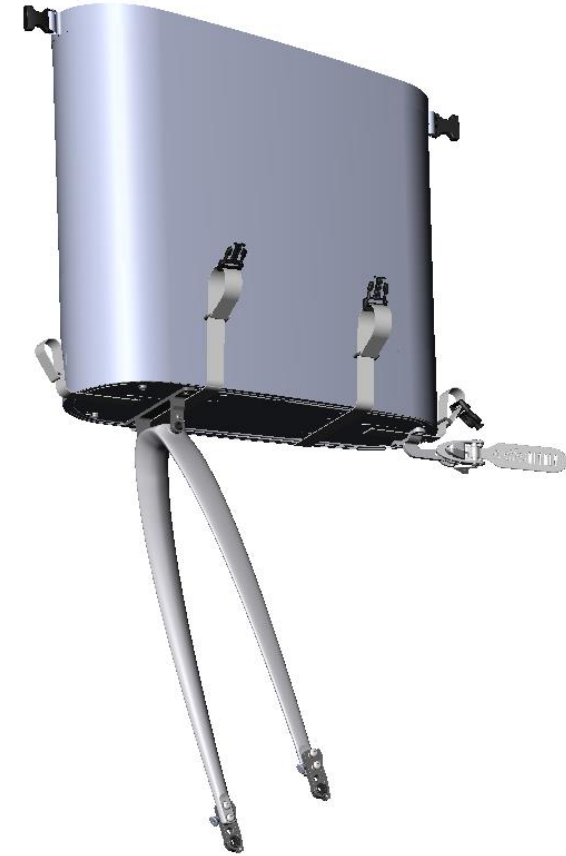
tailfin



1. Ready the arch, bag and
2x screws



2. Attach rack to bag and tighten 2x screws to
5Nm



Direct X & S series frame mounting

Parts included in the box as standard

Step 1 – Measure bike frame

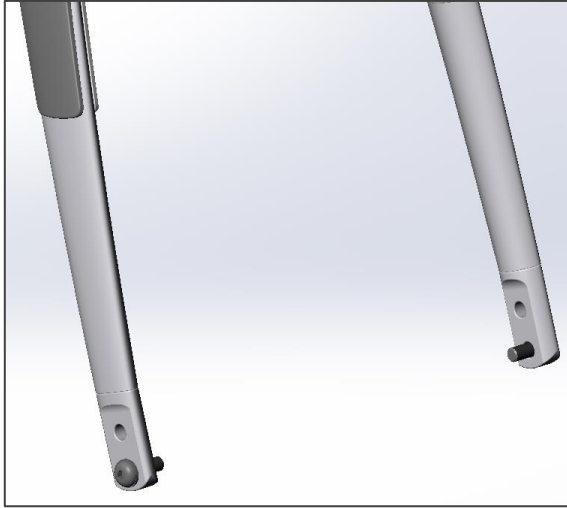


1. The spacer kit **included with every arch includes:**

- 4x 7mm Thick Spacers
- 2x M5 Washers
- 2x M5x16 Screws
- 2x M5x20 Screws
- 2x M5x30 Screws

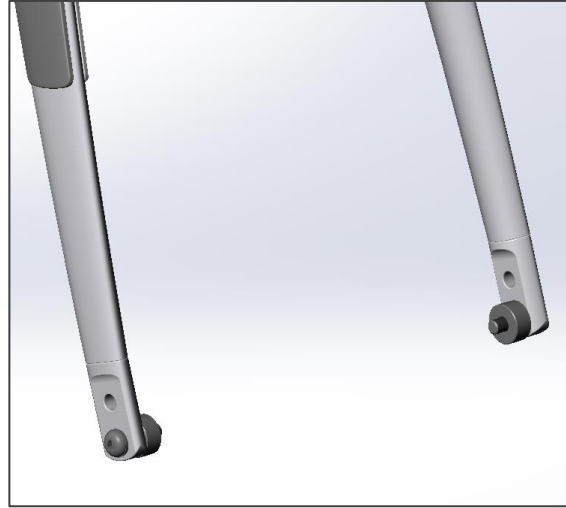
2. Depending on the width of your dropouts will determine how many spacers are required to fit the rack

Step 2 – Select the number of spacers required



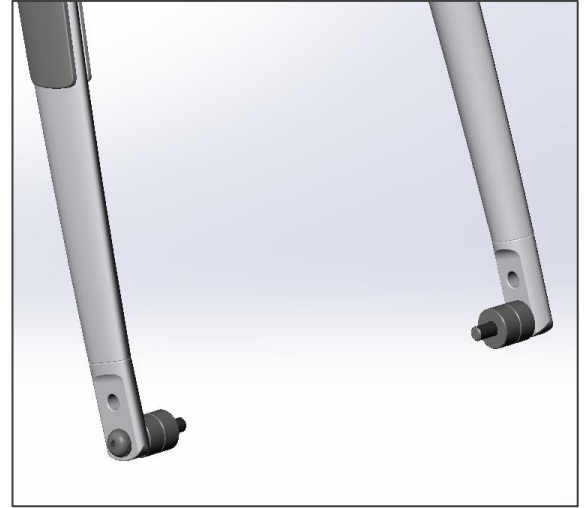
Direct mount

- No spacers
- 2x M5x16mm
- Max Dropout Width = 191mm
- Min Dropout Width = 177mm



Single spacer per side

- One spacer per side
- 2x M5x20 Screws
- Max Dropout Width = 177mm
- Min Dropout Width = 163mm



Double spacer per side

- 2x spacers per side
- 2x M5x30 Screws
- Max Dropout Width = 163mm
- Min Dropout Width = 149mm

Step 3 – Screw rack in place

tailfin



Insert correct number of spacers
and screw directly to the frame