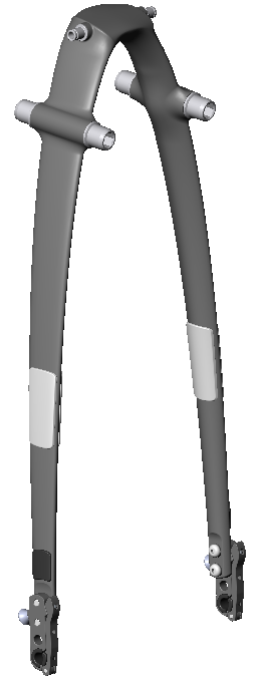
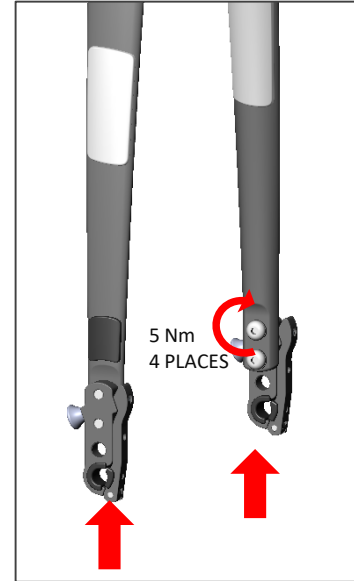
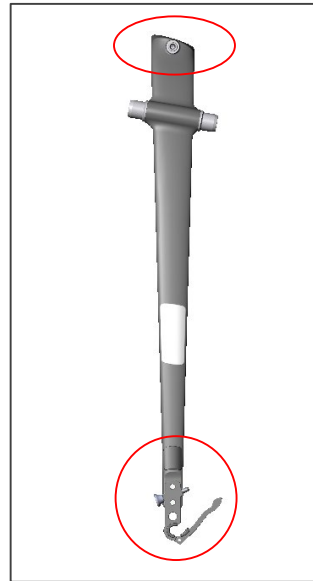
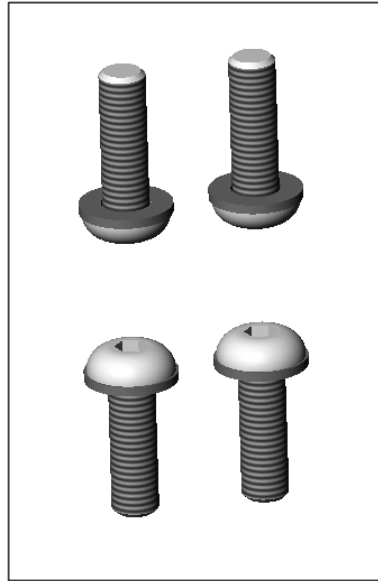


X & S series rack assembly

Step 1 – Attach Dropouts to Rack



1. Unpack the Arch, screws & the Dropouts

2. Add the washers to the screws

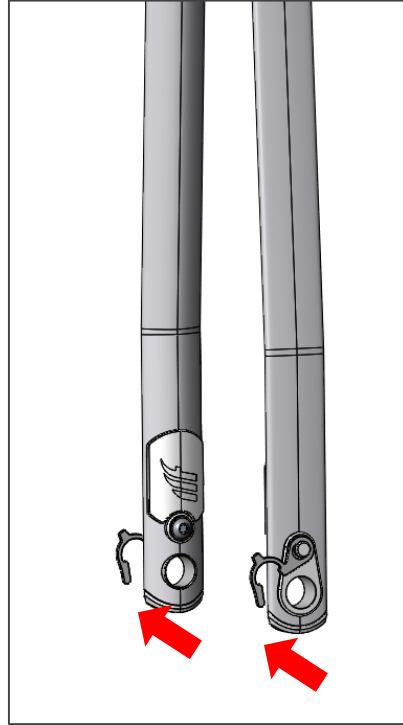
3. Check orientation of dropouts and screws to arch

4. Whilst pushing upwards, tighten the four screws to 5Nm

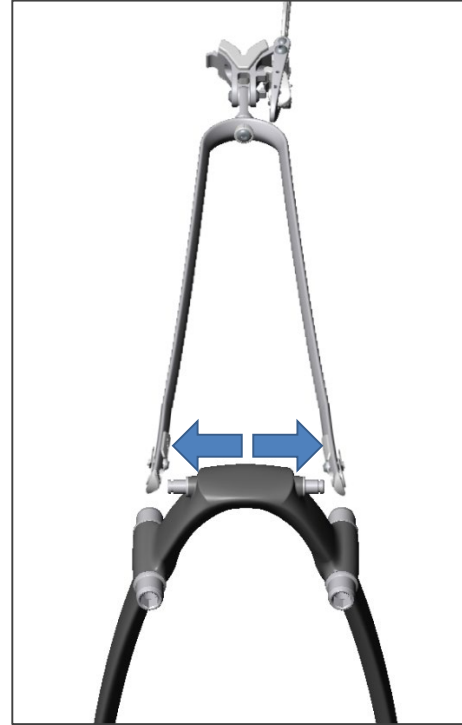
Step 2a – Attach top stay to arch



1. Unpack the top stay and the arch



2. Ensure the lock rings are rotated up, and out of the way



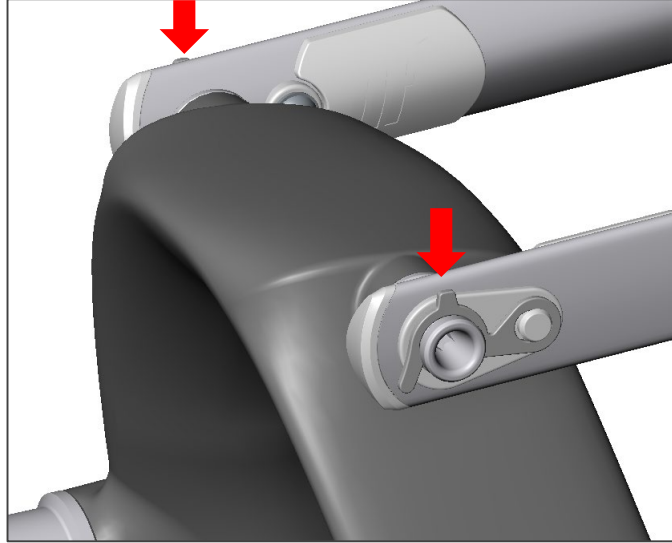
3. Gently separate the top stay and work it carefully over the upper arch pivots

Step 2b – Attach top stay to arch

tailfin



4. Make sure the top stay is fully on



5. Using a flat head of a screw driver, press the locking rings down, until they lock in position

