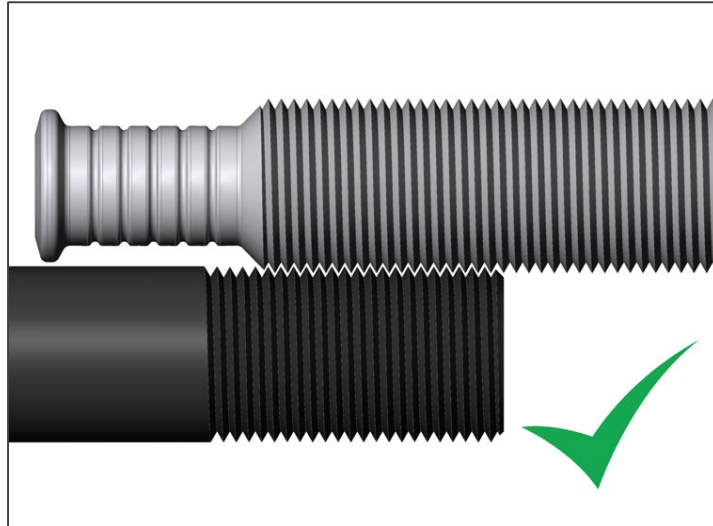
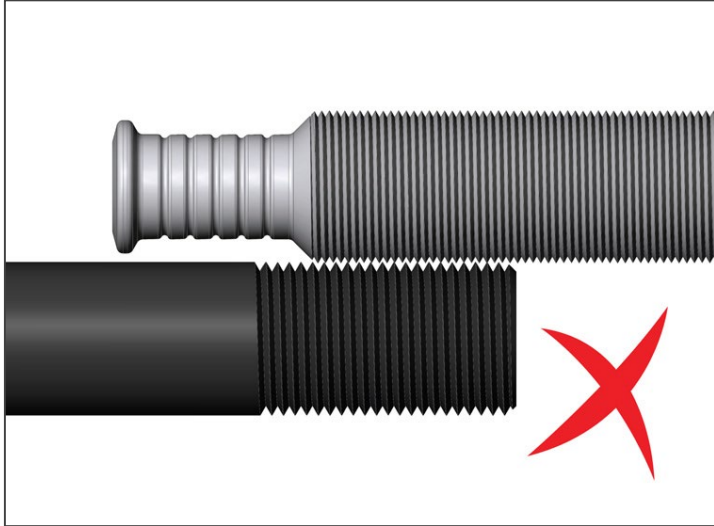


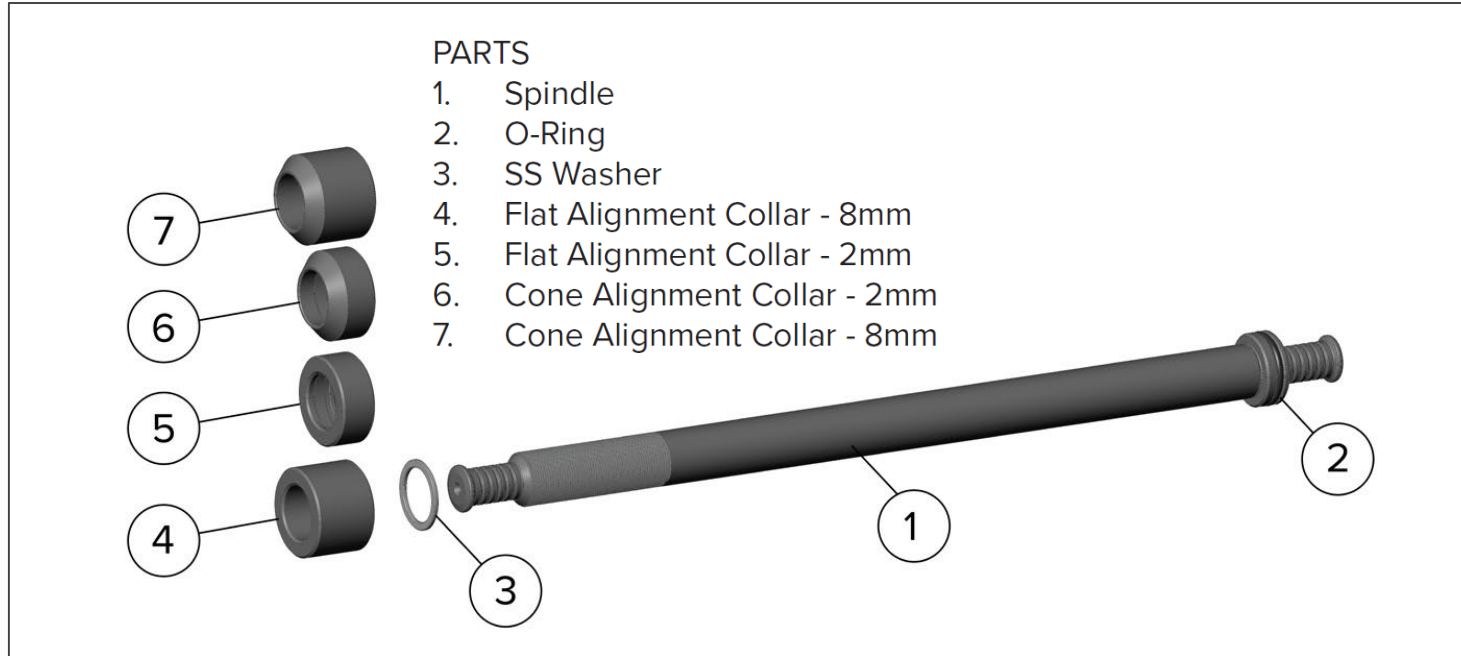
Thru Axle Assembly Instructions

STEP 1



Before starting, compare your old axle and the Tailfin Axle. The threads should match.

STEP 2



Be sure to match the correct shape of Collar to your existing axle – try different collar lengths to help center the axle

STEP 3



Thru axle ready for assembly

STEP 4



Add stainless steel washer

STEP 5



Close up of stainless steel washer

STEP 6



Slide on the correct head on until it 'clicks' on to the end

STEP 7



It is normal to have thread showing

STEP 8 - Optional



Some frames (e.g. Open U.P.) require an external locking nut – this is available from Tailfin upon request