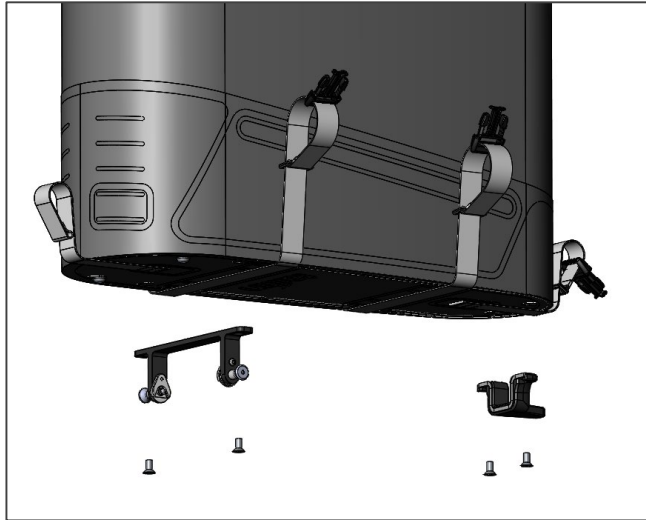


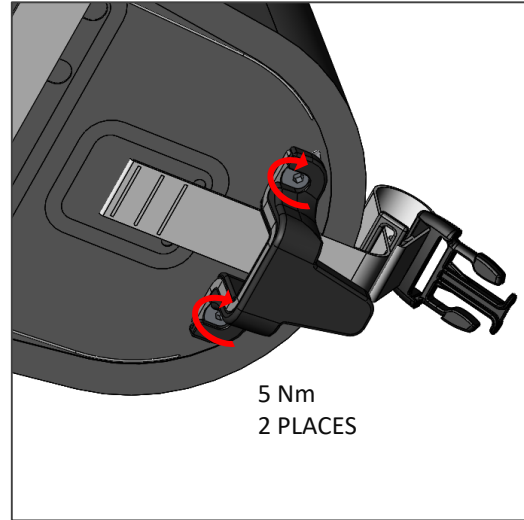
# AeroPack Trunk Assembly

# Assemble connectors

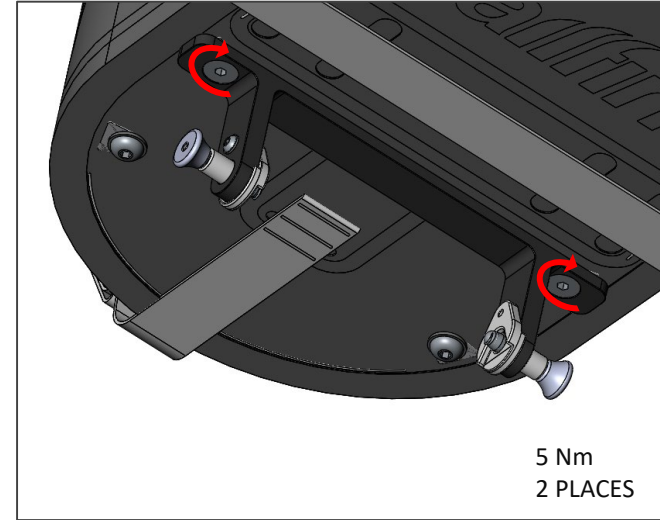
tailfin



1. Unpack the bag, front hook, rear connector and 4x screws



2. Screw front hook – make sure that the front strap is UNDER the hook – tighten screws to 5Nm



3. Screw rear connector — tighten screws to 5Nm

**NOTE:** When initially screwing it's likely you will need a ball nose hex key...

