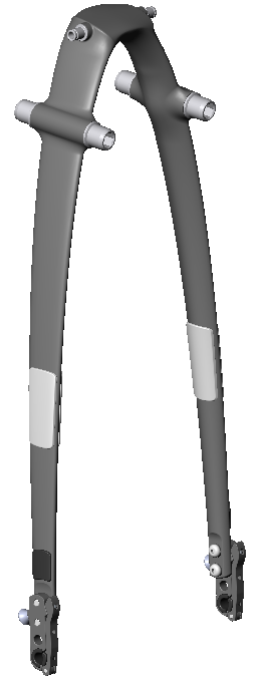
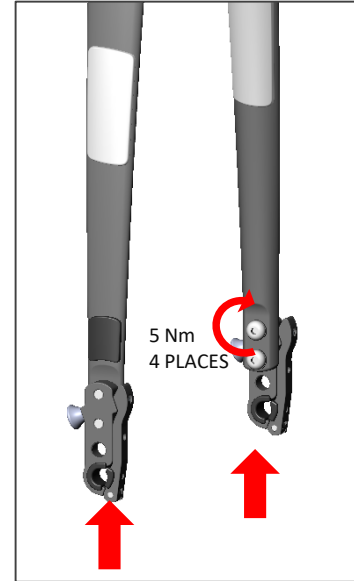
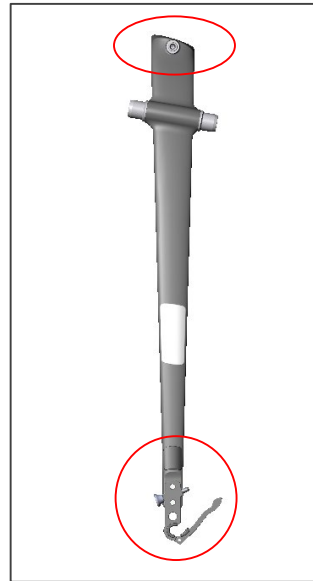
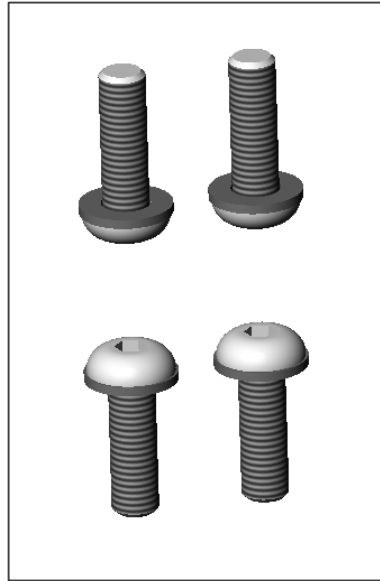


AeroPack Carbon & Alloy assembly

Step 1 – Attach Dropouts to Rack



1. Unpack the Arch, screws & the Dropouts

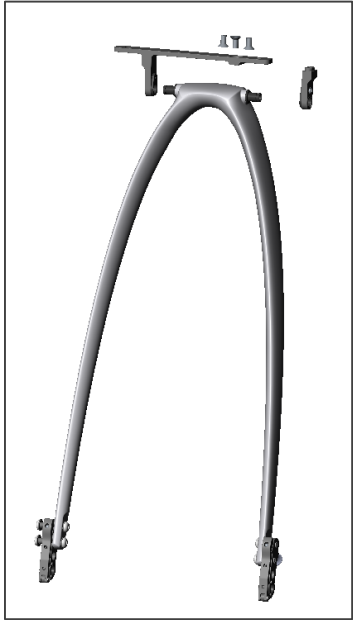
2. Add the washers to the screws

3. Check orientation of dropouts and screws to arch

4. Whilst pushing upwards, tighten the four screws to 5Nm

Step 2 - Attach rear connector

tailfin



1. Unpack the rear connector and arch



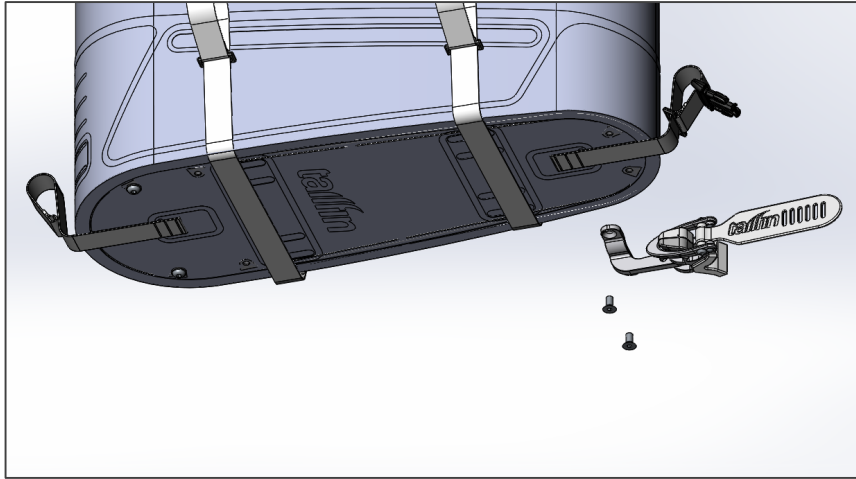
2. Work both sides of the rear connector to this position



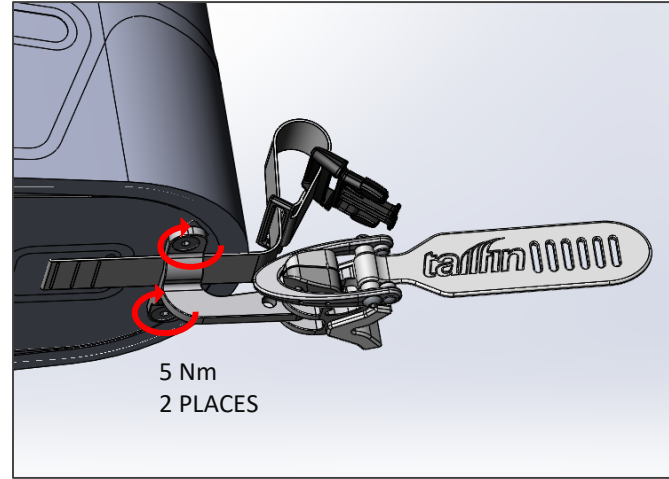
3. Join both sides of the connector then add screw and tighten to 5Nm

Step 3 – Attach front seatpost connector to bag

tailfin



1. Unpack front connector, 2x screws & seatpost connector



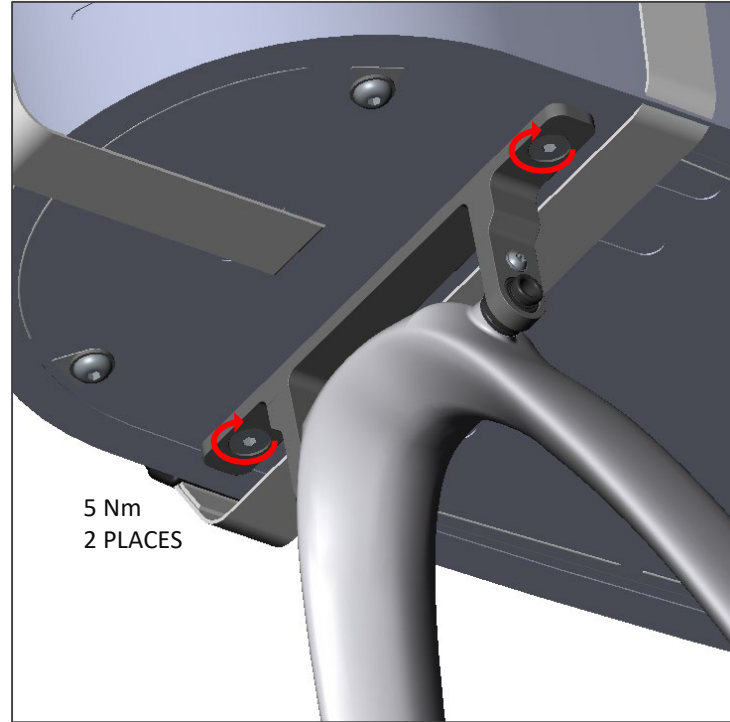
2. Screw seatpost connector in position – make sure that the front strap is UNDER the seatpost connector – tighten screws to 5Nm

Step 4 – Assemble arch to bag

tailfin



1. Ready the arch, bag and 2x screws



2. Attach rack to bag and tighten 2x screws to 5Nm

