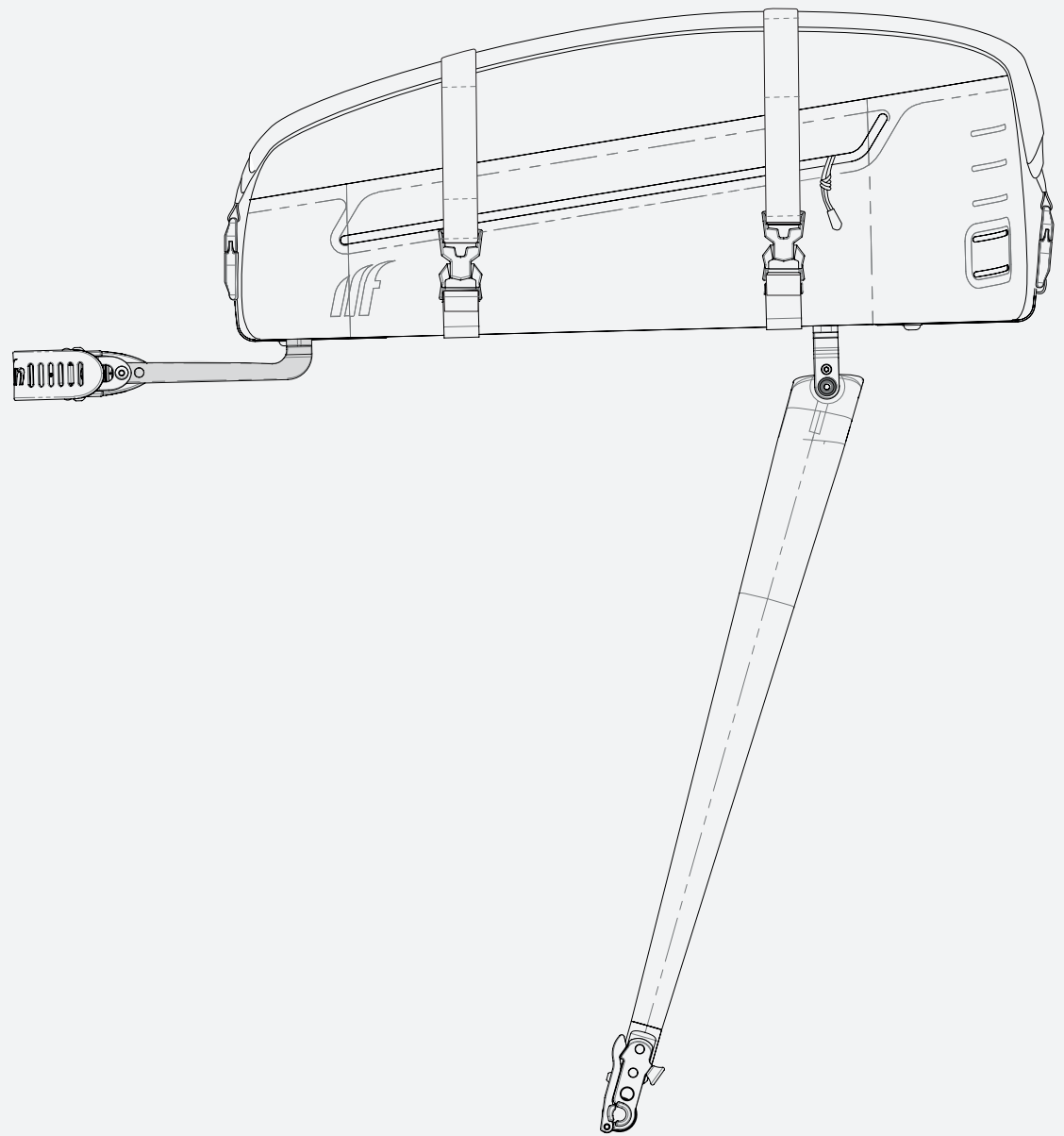




---

## AeroPack Extender

Assembly Instructions



[www.tailfin.cc](http://www.tailfin.cc)  
[support@tailfin.cc](mailto:support@tailfin.cc)  
for further assistance

## AeroPack Extender

What's included

- A 1 AeroPack Extender



### Tools and Supplies Required

Two x 2.5mm hex key

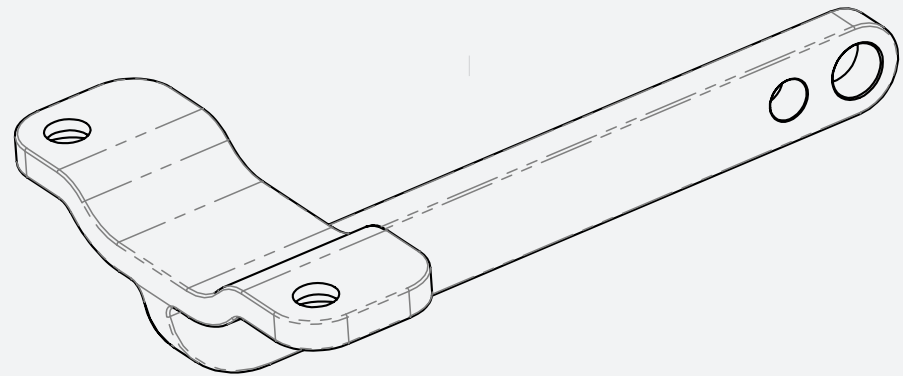


T25 Torx screwdriver

Loctite 243 blue medium strength threadlocker. (Loctite 242 for USA)



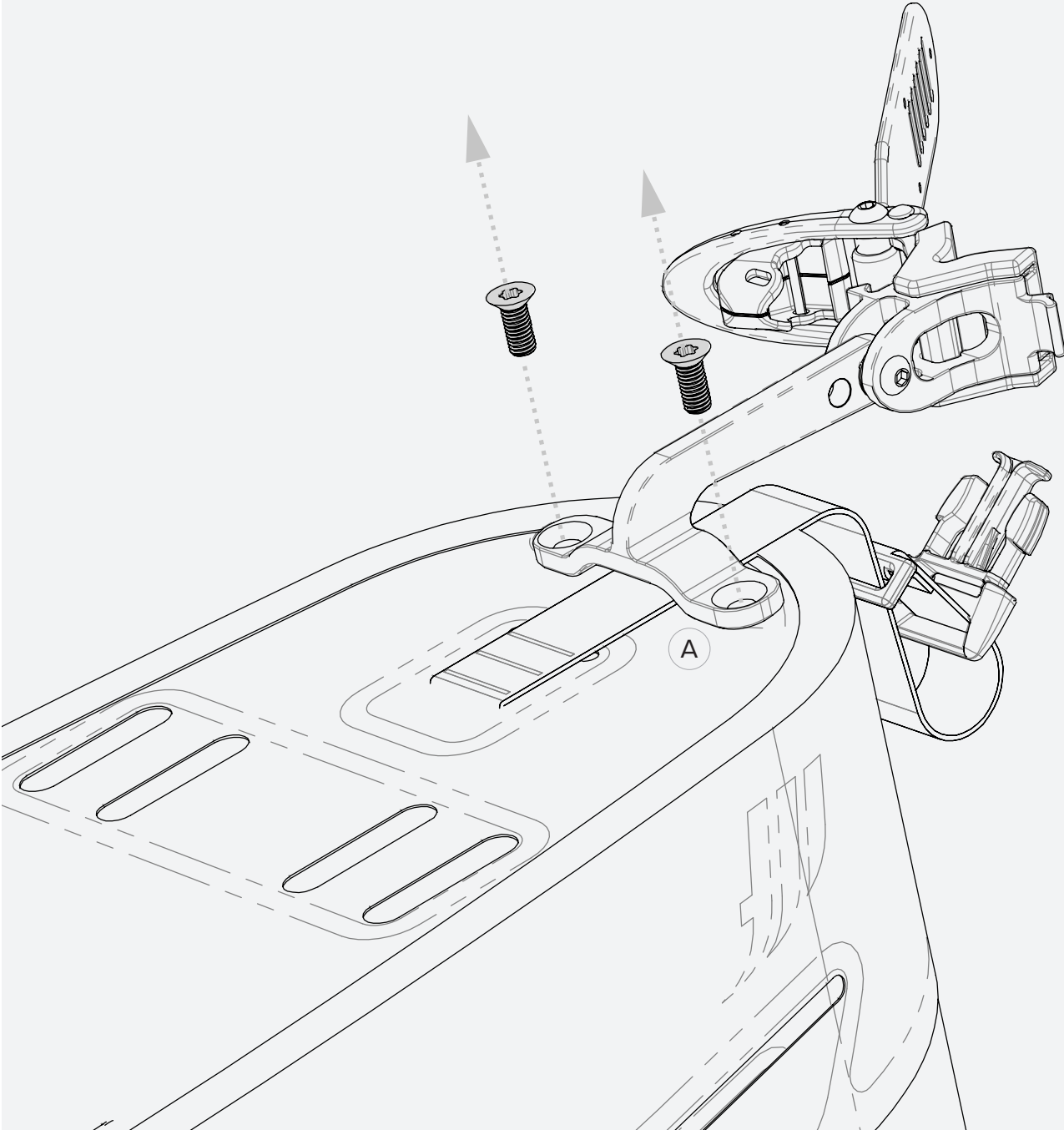
**Time** - 5 minutes



# Remove Standard Connector

Step One

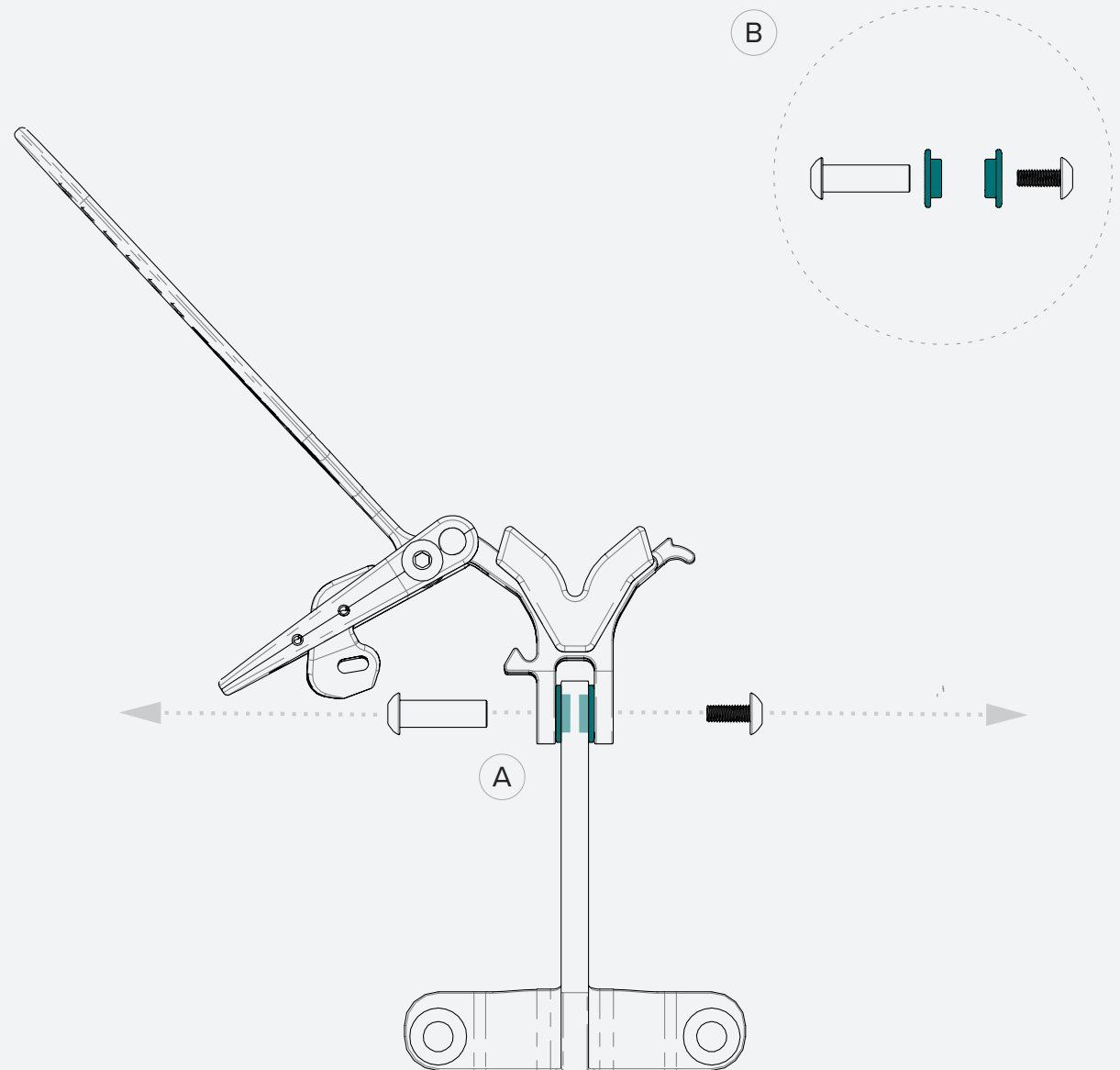
- A If already installed, remove standard connector from AeroPack using T25 Torx screwdriver



## Remove Seat Post Connector

Step Two

- A** Use two 2.5mm hex keys to remove clamp  
(one on each side)
- B** Remove washers and keep to one side  
with male and female bolt

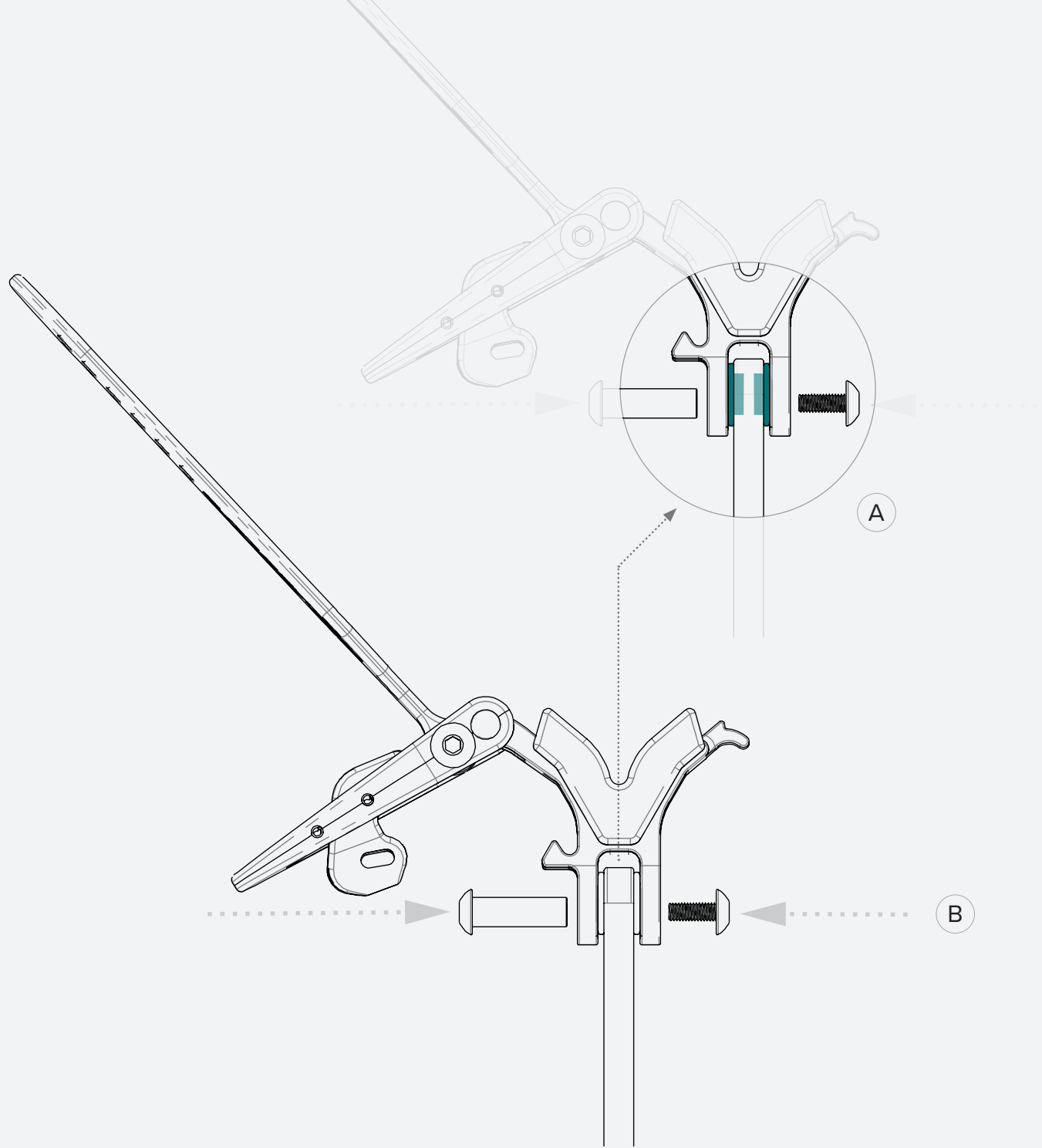


## Install AeroPack Extender

### Step Three

Install Seat Post Connector to AeroPack Extender by reversing the process in step two

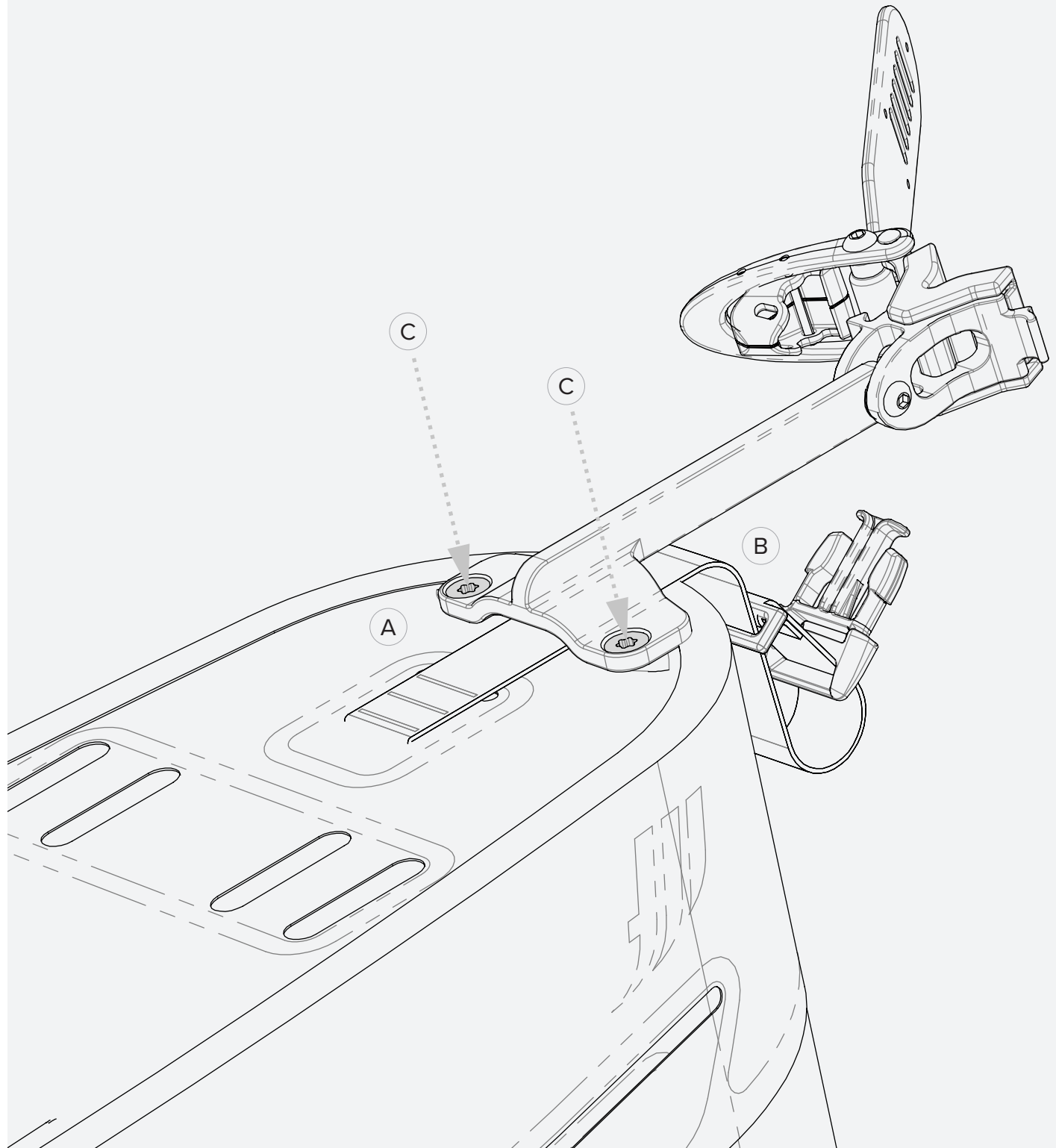
- A** Ensure washers are positioned correctly
- B** Apply threadlocker (to prevent loosening from road vibration) and tighten to 1Nm using two 2.5mm Hex keys.



## Install Extended Connector

### Step Four

- A** Install Extended Connector to AeroPack using T25 Torx Screwdriver
- B** Ensure front strap is under the connector
- C** Apply threadlocker (to prevent loosening from road vibration) and tighten each screw in turn to 5Nm





---

**AeroPack Extender**  
Assembly Instructions

[www.tailfin.cc](http://www.tailfin.cc)  
[support@tailfin.cc](mailto:support@tailfin.cc)  
for further assistance